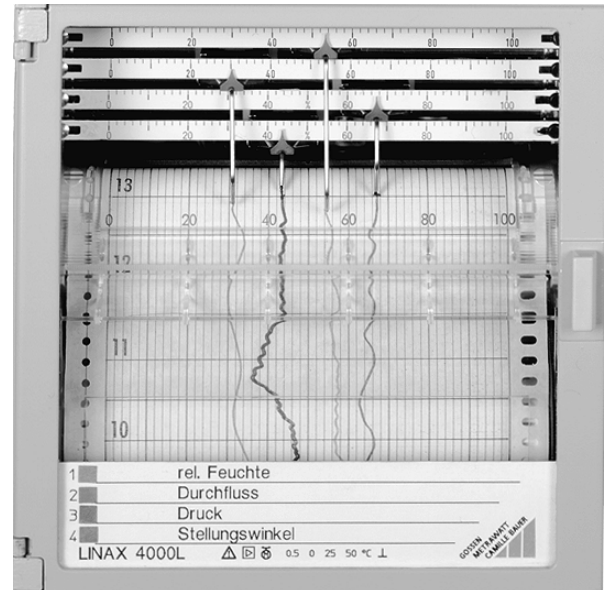


LINAX 4000L

Continuous-line recorder

3-348-852-03
6/8.18

- 1 to 4 line channels
- Format 144 mm x 144 mm, mounting depth 250 mm
- Combined recording table for roll chart (32 m) or fanfold chart (16 m)
- Measuring channels electrically isolated
- Rugged design



Applications

The configurable continuous-line recorder LINAX 4000L serves to record slowly changing measured quantities. DC current and DC voltage can be connected directly. The recorder is meant for installation in panels.

Description

The LINAX 4000L is a microprocessor-controlled, continuous-line recorder. It is supplied with 1 to 4 line channels.

The recorder is connected to transducers and is served to measure process-related signals.

The recorder is supplied with signal inputs DC 0 ... 20 mA / 0 ... 10 V or DC 4 ... 20 mA.

High electromagnetic compatibility (EMC) as well as high common mode and series mode rejection of interference voltages ensure non-problem use of the LINAX 4000L even in rough environments.

Applied rules and standards

A) International standards

IEC 484	Potentiometric recorders
IEC 61010-1	Safety requirements for electrical equipment for measurement, control and laboratory use Part 1: General requirements
IEC 664	Measuring category, degree of pollution
IEC 68-2-6	Mechanical stress (vibrations)
IEC 68-2-27	Mechanical stress (shock)
EN 60529	Test instruments and test procedures Degrees of protection provided by enclosures (IP code)
EN 61326-1	Electrical equipment for measurement, control and laboratory use – EMC requirements – Part 1: General requirements
IEC 721-3-3	Climatic environmental conditions
IEC 742	Isolating transformers and safety isolating transformers – requirements

B) German standards

DIN 43802	Scales
DIN 16234	Recording paper
DIN 43831	Cases

Symbols and their meaning

Symbol	Meaning
X1n	Lower range limit nom. range
X2n	Upper range limit nom. range
X2n – X1n	Range span nom. range

LINUX 4000L

Continuous-line recorder

Technical data

Analog inputs and measuring ranges

DC current	0 ... 20 mA; Ri = 40 Ω 4 ... 20 mA; Ri = 50 Ω
DC voltage	0 ... 10 mA; Ri = 500 kΩ

Deadband 0.25 % of range span

Setting time 2 s, 5 s, 20 s, 60 s

Reference conditions

Ambient temperature	25 °C ± 1 K
Relative humidity	45 ... 75 %
Auxiliary voltage	Hn ± 2 %, nominal frequency ± 2 %
Mounting position	Front upright ± 2°
Warm-up time	30 min

Accuracy

Deviation according to IEC 484	Class 0.5 referred to range span
--------------------------------	----------------------------------

Variations

Temperature	0.2 %/10 K, additionally
Humidity	Note influence on recording paper according to DIN 16234
Auxiliary voltage Hn	0.1 % at 24 V AC/DC ± 20 % 0.1 % at 24 V AC +10 % / -15 % 0.1 % at 115 V AC +10 % / -15 % 0.1 % at 230 V AC +10 % / -15 %
AC interference voltages (see perm. interference voltages)	0.5 % of range span
Magnetic field of external origin 0.5 mT	0.5 % of range span
Mechanical stress according to DIN IEC 68-2-6/27	During and after the effect ± 0.5 % of range span
Transport	Impact: 30 g/18 ms Vibration: 2 g/
5 ... 150 Hz in function	Vibration: 0.5 g/± 0.04 mm/ 5...150 Hz/3 × 2 cicli


Display

Scale

One graduation per measuring system
Scale face 5 mm wide
Character size 2 mm

Recording

Arrangement of measuring systems and color correlation

	1	2	3	4	No. of line channels
 green			×	×	3rd channel
 red		×	×	×	2nd channel
 blue	×	×	×	×	1st channel
 violet				×	4nd channel

Line recording

Fiber recording pen with inkwell of approximately 1.4 ml, line length approximately 1300 m, distance between the tips of the fiber recording pens 2 mm.

Recording

Chart speed	Speed selectable on control panel: 1/5/10/20/60/120/300/600 mm/h
Recording chart	32 m roll chart or 16 m fanfold chart
Visible chart length	60 mm
Recording width	100 mm (chart width 120 mm, DIN 16230)
Chart intake (with roll chart)	Via automatic paper take-up device (daily tear-off or take-up of the 32 m possible)

Auxiliary voltage

24 V AC/DC ± 20 %

Power consumption with max. fitting approx. 15 W/20 VA

24/110/230 V AC +10 %/-15 %

Frequency range 47.5 ... 63 Hz

Power consumption with max. fitting approx. 20 W/25 VA

Climatic suitability

Ambient temperature	0 ... 25 ... 50 °C
Transport and storage temperature	-40 ... +70 °C
Relative humidity	≤ 75 % annual average; max. RH ≤ 85 % in function
Climatic class	3K3 acc. to IEC 721-3-3

LINAX 4000L

Continuous-line recorder

Electrical safety

Test according to DIN EN 61010-1 (classification VDE 0411)
and/or IEC 61010-1

Protection class I

Overvoltage category
III at the power input
II at inputs

Degree of pollution
2 in the device and at the connection terminals
according to VDE 0110, parts 1 and 2

Test voltage
3.75 kV measuring channels to energy supply
2.20 kV protective conductor to energy supply

Scope of delivery

1 copy of operating instructions
2 fasteners
1 chart roll or fanfold pack, inserted in the unit
1 fiber recording pen per measuring channel

Additionally, depending upon the order:
Centering angle bracket for installation in mechanical grids;
reading ruler(s)

Functional extra low voltage with protective separation (PELV)

Between power input – measuring channels, control leads, inter-
face cables acc. to VDE 0100 part 410 and VDE 0106 part 101.

Electromagnetic compatibility

The protection goals of the EMC directive 2014/30/EU as to radio
interference suppression and as to immunity to interference
according to EN 61326-1 are complied with.

LINAX 4000L

Continuous-line recorder

Connection, case and installation

Electrical connections

- Protection type IP 20
- Screw and plug terminals for signal inputs
- Max. wire cross section $2 \times 1 \text{ mm}^2$
- Screw terminals for line connection
- Max. wire cross section 4 mm^2

Case

- Molded material for installation in panels or mechanical grids (see dimensional drawing for dimensions)

Protection type of case according to EN 60529

- Front panel IP 54
- Rear panel IP 20

Color of case

- Silica-gray according to RAL 7032

Door of case

- Molded material or door with metal frame RAL 7032 and glass pane, anti-glare

Fastening of case

- With 2 fasteners (optionally for installation in panel or mechanical grid), centering angle brackets are required for installation in mechanical grids

Position of use

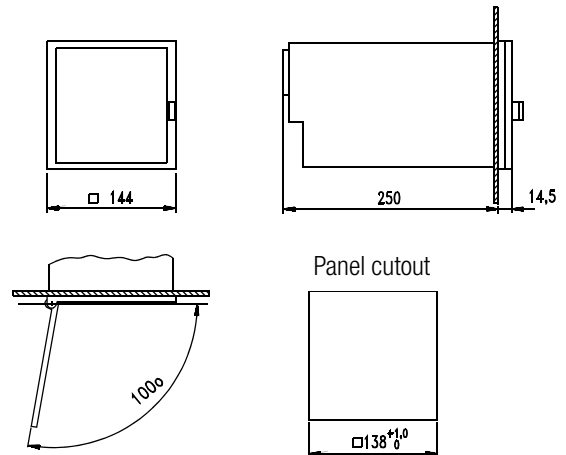
- Lateral $[-30^\circ \dots 0 \dots +30^\circ]$, inclined to the rear 20° , to the front 20°

Mounting distance

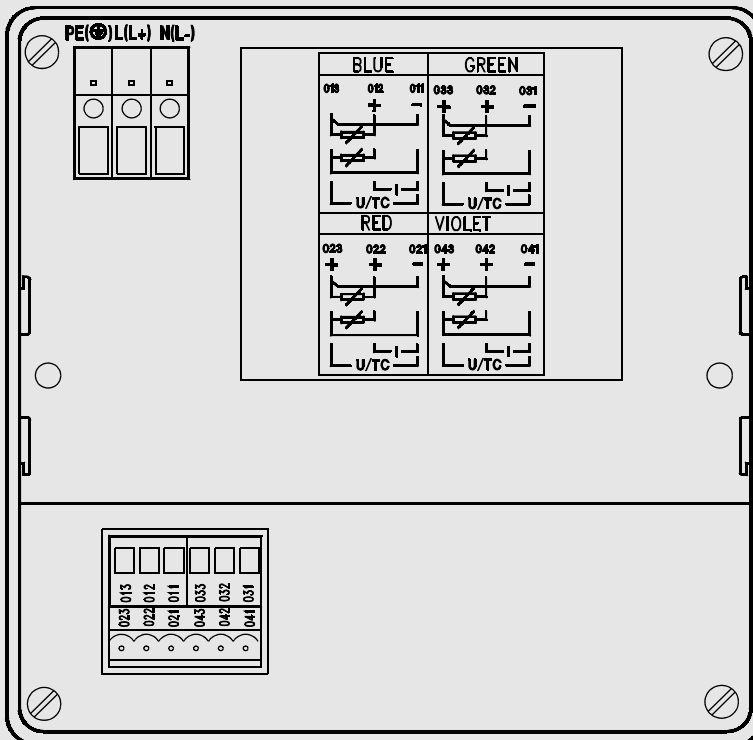
- Horizontal or vertical 0 mm, it must be possible to open the door of the case through 100°

Weight 3 kg, approx.

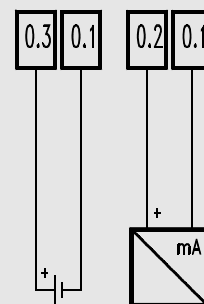
Dimensional drawing (dimensions in mm)



Wirung diagrams



Signal inputs



LINAX 4000L

Continuous-line recorder

Order code

Descrizione			Article number	
Continuous-line recorder LINAX 4000L with identical DC measuring ranges for all channels			A4150	
Front dimensions 144 × 144mm				
	1 line channel		AA001	
	2 line channels		AA002	
	3 line channels		AA003	
	4 line channels		AA004	
Measuring ranges	Lower range limit X1	Upper range limit X2		
DC 0 ... 20 mA / DC 0 ... 10 V (convertible to DC 4 ... 20 mA)	X1 = 0 mA	X2 = 20 mA	BA001	
DC 4 ... 20 mA (convertible to DC 0 ... 20 mA / DC 0 ... 10 V)	X1 = 4 mA	X2 = 20 mA	BA002	
Scale 1st channel:	same as measuring range		BB001	
	without graduation		BB002	
	0 ... 100		BB003	
	as per request		BB900	
Reading ruler 1st channel:	without reading ruler		BC000	
	same as scale		BC001	
	0 ... 100		BC002	
	as per request		BC900	
Scale 2nd channel , only for 2-channel or multi-channel versions:				
same as scale 1st channel, but features CB...			CBxxx	
Reading ruler 2nd channel , only for 2-channel or multi-channel versions:				
same as 1st channel, but features CC...			CCxxx	
Scale 3rd channel , only for 3-channel or 4-channel version:				
same as scale 1st channel, but features DB...			DBxxx	
Reading ruler 3rd channel , only for 3-channel or 4-channel version:				
same as 1st channel, but features DC...			DCxxx	
Scale 4th channel , only for 4-channel version:				
same as scale 1st channel, but features EB...			EBxxx	
Reading ruler 4th channel , only for 4-channel version:				
same as 1st channel 1, but features EC...			ECxxx	
Recording type	for roll (32 m)		KA001	
	for fanfold pack (16 m)		KA002	
Auxiliary voltage:	24 V ... 85 V AC/DC		LA001	
	95 V ... 240 V AC/DC		LA002	

(Cont'd next page)

LINAX 4000L

Continuous-line recorder

Order code (cont.)

Descrizione			Article number	
			A4150	
Front door	Plastic		MA001	
	Metal		MA002	
Label	Blank with GOSSEN METRAWATT logo		NA000	
	Blank without logo		NA001	
	With inscription as per request, 1 line/meas. point with max. 31 characters		NA900	
Test report	None		PA000	
	With factory test certificate M according to DIN 55350-18-4.2.2 and reading test certificate B according to EN 10204-3.1B		PA001	
Operating instructions	German		RA000	
	None		RA001	
	English		RA002	
	French		RA003	
	Italian		RA004	

Ordering examples

Clear text			Ordering code	
Continuous-line recorder LINAX 4000L with identical DC meas. range for all channels			A4150	
	3 continuous-line recorders		AA003	
Meas. range	DC 0 ... 20 mA		BA001	
Scale 1st channel:	0 ... 100		BB003	
Scale 2nd channel:	0 ... 5 MW		CB900	
Scale 3rd channel:	0 ... 300 °C		DB900	
Recording type	for fanfold pack (16 m)		KA002	
Auxiliary voltage	AC: 230 V		LA002	
Front door	Plastic		MA001	

Ordering code: A4150 / AA003 / BA001 / BB003 / CB900 0 ... 5 MW / DB900 0 ... 300 °C / KA002 / LA002 / MA001

LINAX 4000L

Continuous-line recorder

Accessories

Article numbers ending with a letter are complete and need not to be commented.
 Article numbers ending with a **numeral** must be commented with the **following features**.

Description	Article number										
Scale with heights 5.0 mm	Scale, graduation as per request										A4130
Reading ruler, graduation as per request											A4120
Label for measuring point											
	for LINAX 4000										A4400
	with GOSSEN METRAWATT logo										AA000
	without GOSSEN METRAWATT logo										AA001
	Channel green without inscription										BA001
	Channel green with inscription										BA900
	Channel red without inscription										BB001
	Channel red with inscription										BB900
	Channel blue without inscription										BC001
	Channel blue with inscription										BC900
	Channel violet without inscription										BD001
	Channel violet with inscription										BD900
Screw terminal with 5 connectors											A404A
Screw terminal with 3 connectors											A404B
4 each centering angle (with installation in grid)											A416A

Consumable items (cont'd)

Article numbers ending with a letter are complete and need not to be commented.
 Article numbers ending with a **numeral** must be commented with the **following features**.

Description	Article number										
Recording chart, chart width 120 mm, recording width 100 mm											
Chart roll 32 m, graduation 0 ... 100, minimum ordering quantity 25 rolls											
	Time graduation/ speed	None									A401A
		10 mm/h									A401B
		20 mm/h									A401C
		60 mm/h									A401D
		120 mm/h									A401E
		as per request									A4070
											CA90

(cont'd)

LINAX 4000L

Continuous-line recorder

Consumable items (cont'd)

Article numbers ending with a letter are complete and need not to be commented.

Article numbers ending with a **numeral** must be commented with the **following features**.

Description			Article number			
Chart roll 32 m, with calibrated graduation, minimum ordering quantity 25 rolls				A4071		
	Calibrated graduation	as per request		AA900		
	Inscription	as per request		BA900		
	Time graduation/ speed	as per request		CA900		
Fanfold pack 16 m, graduation 0 ... 100, minimum ordering quantity 25 packs						
	Time graduation/ speed	None		A401L		
		20 mm/h		A401N		
		as per request		A4075		
				CA90		
Fanfold pack 16 m, with calibrated graduation, minimum ordering quantity 25 packs				A4074		
	Calibrated graduation	as per request		AA900		
	Inscription	as per request		BA900		
	Time graduation/ speed	as per request		CA900		
Recording styli						
	Stylus green				A406B	
	Stylus red				A406A	
	Stylus blue				A406C	
	Stylus violet				A406D	

Printed in Germany • Subject to change without notice

 **GOSSEN METRAWATT**

GMC-I Messtechnik GmbH
Südwestpark 15
90449 Nürnberg • Germany

Phone +49 911 8602-111
Fax +49 911 8602-777
E-Mail info@gossenmetrawatt.com
www.gossenmetrawatt.com